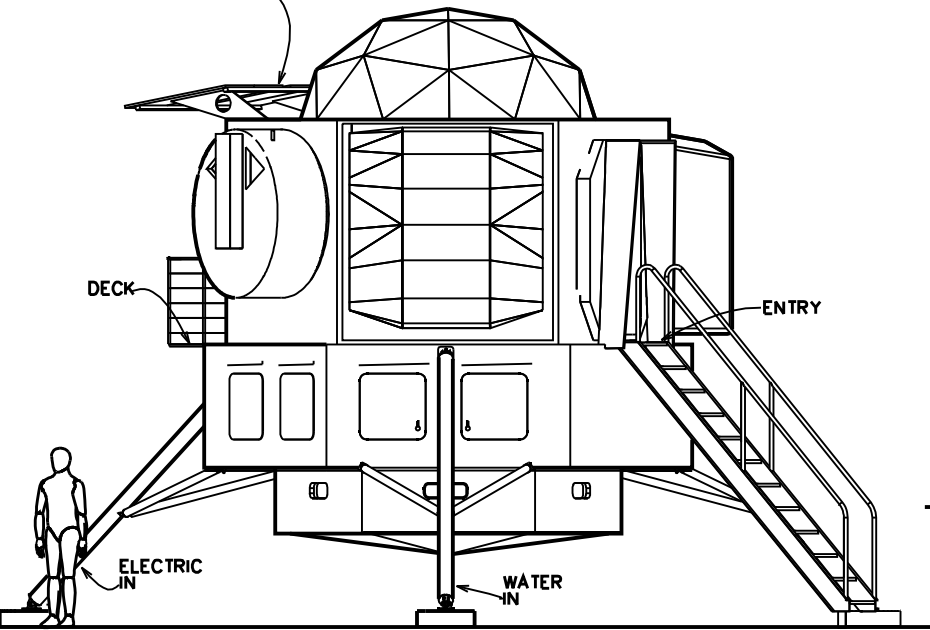
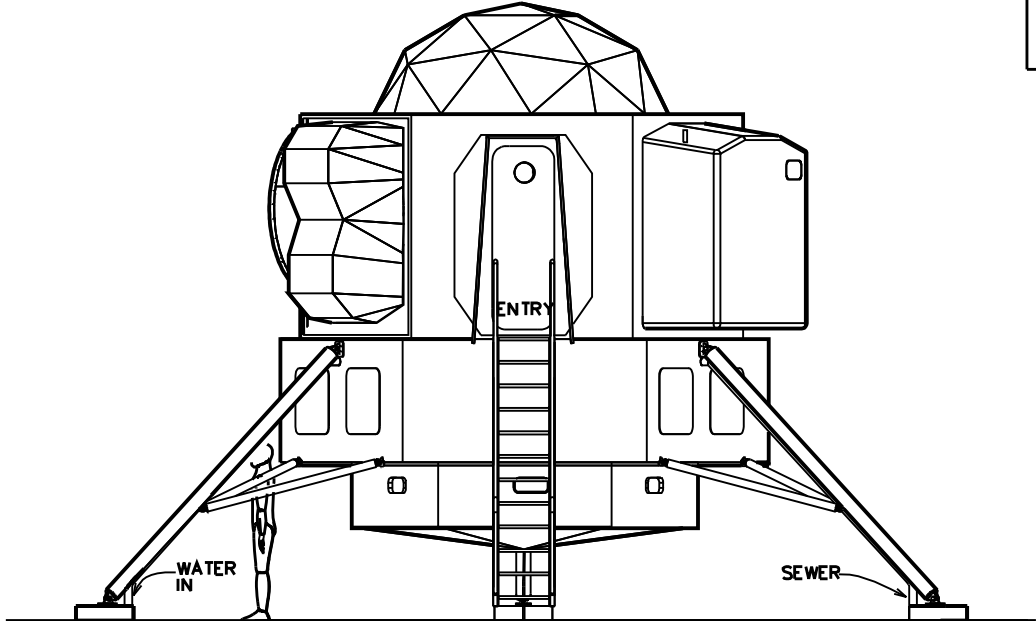


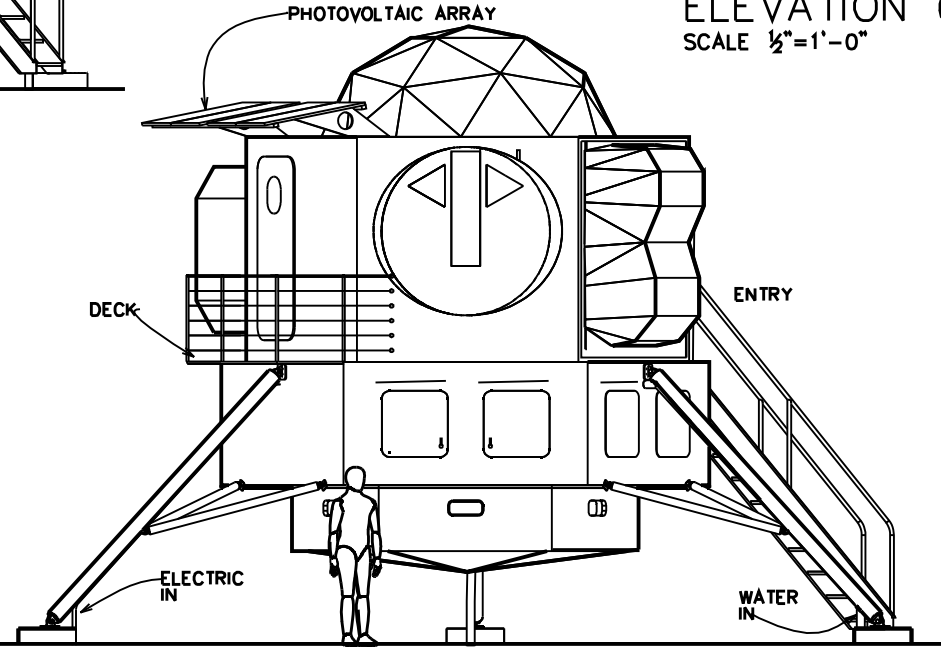
PHOTOVOLTAIC ARRAY



ELEVATION 5
SCALE 1/2"=1'-0"



ELEVATION 6
SCALE 1/2"=1'-0"



ELEVATION 4
SCALE 1/2"=1'-0"

1 FOOT
1 METER

4

LUNAR LANDER CABIN

ELEVATIONS 4,5,6

KHSD

KURT HUGHES SAILING DESIGNS · 3 123 FAIRVIEW AVE. E. SUITE D. SEATTLE, WA 98102 283-4106
206-284-6346 FAX 206-283-4106 KHUGHES@UTIHILLDESIGNS.COM WWW.THEMORSOUPPOST.COM

COPYRIGHT 2010
KURT HUGHES